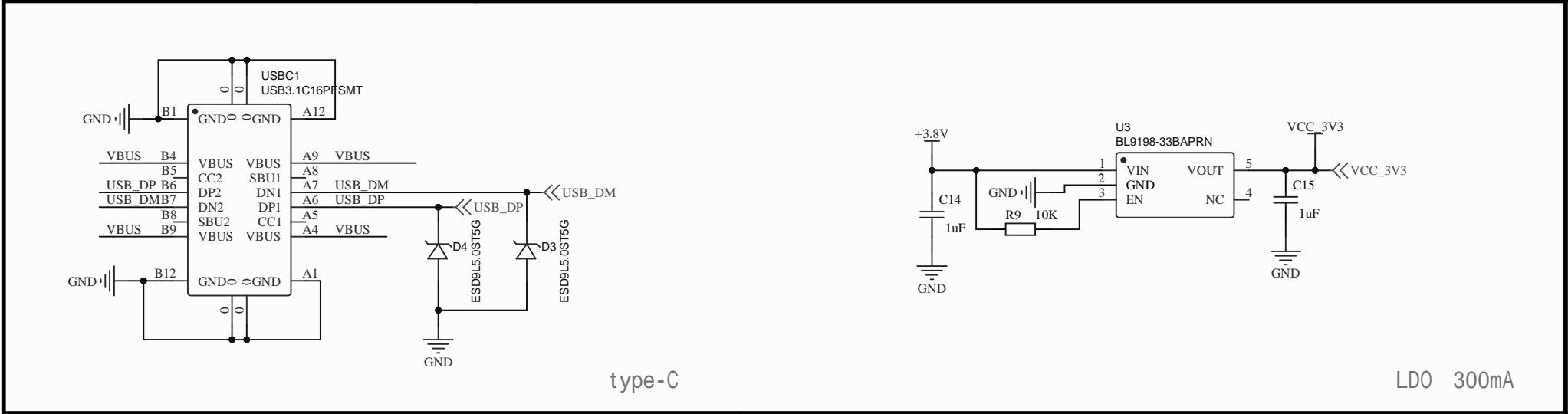
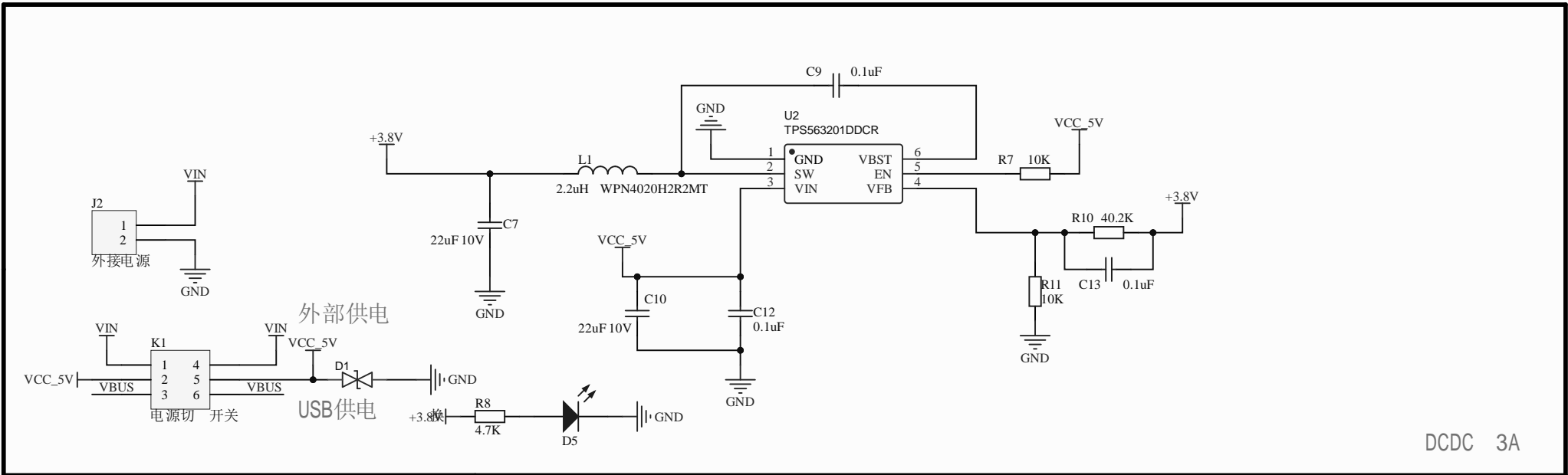
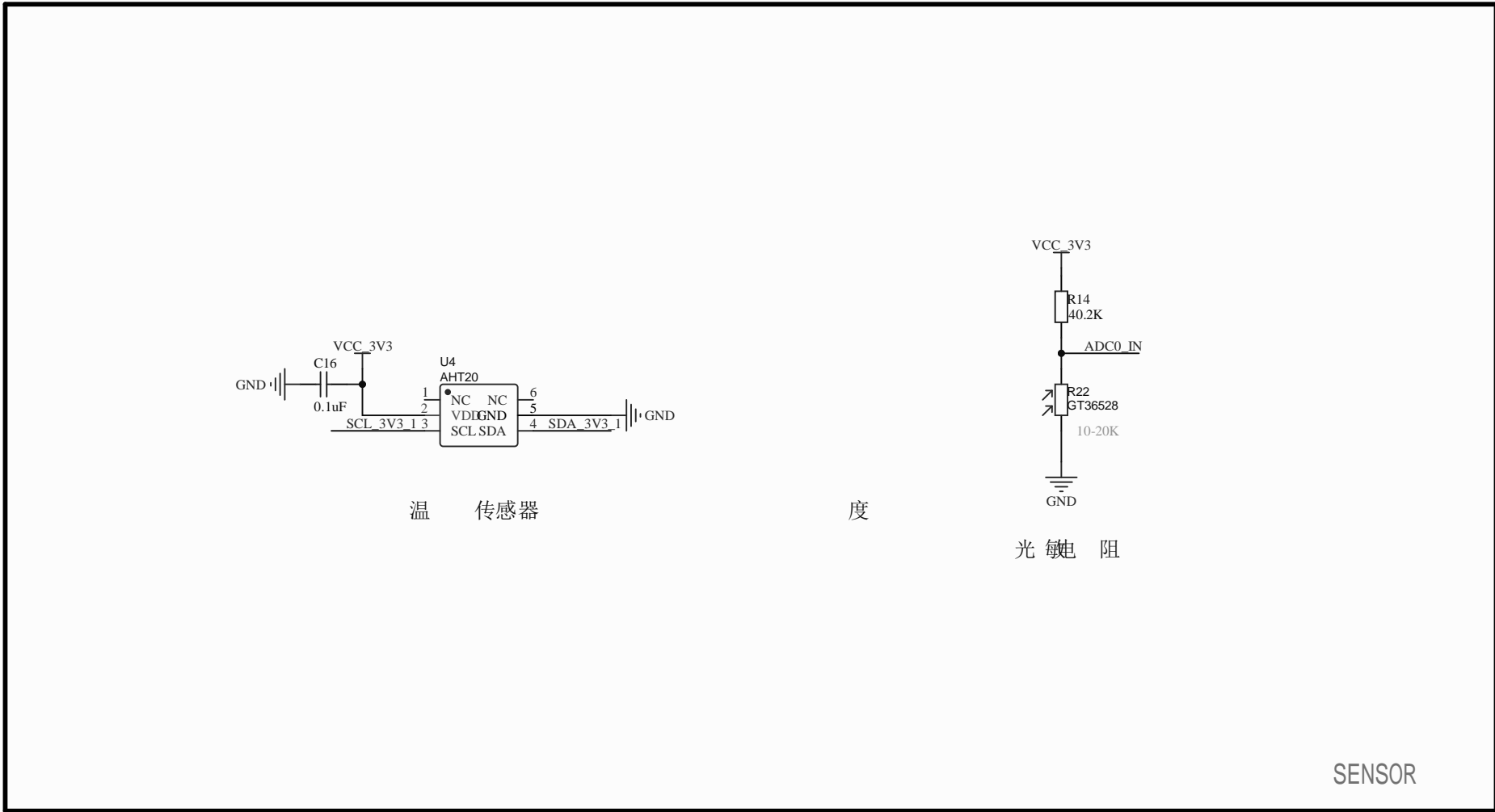


Title		EC600X	
Size	Number	Revision	
A2			
Date:	3-31-2023	Sheet of	
File:	H:\11_EC600X_SchDoc	Drawn By:	



Title		
Size A4	Number	Revision
Date: 3-31-2023	Sheet of	
File: G:\ 顯...2.POWER.SchDoc	Drawn By:	



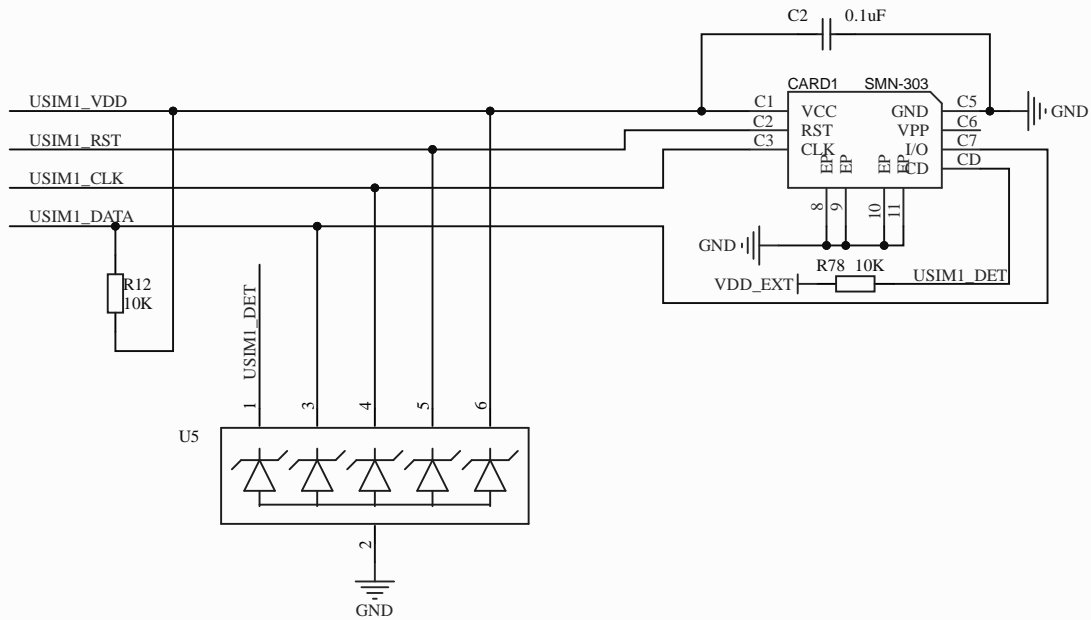
温 传感器

度

光 敏 电 阻

SENSOR

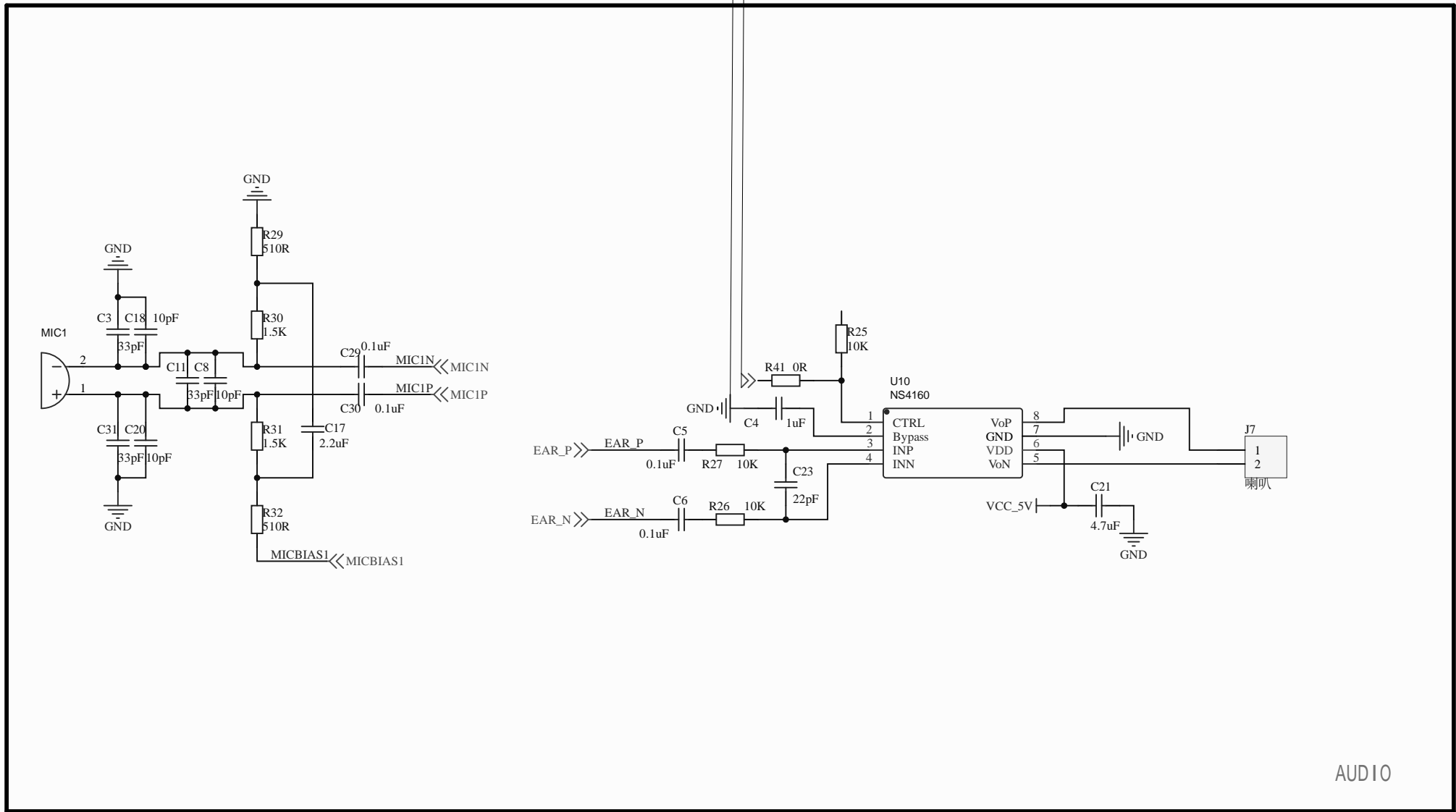
Title		
Size	Number	Revision
A4		
Date:	3-31-2023	Sheet of
File:	G:\ 课\...\3.SENSOR+EEPROM.SchDoc Drawn By:	



SIM卡部分 请考官 方设计

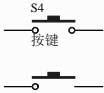
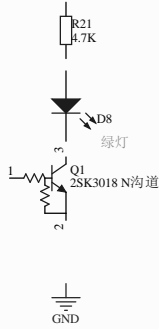
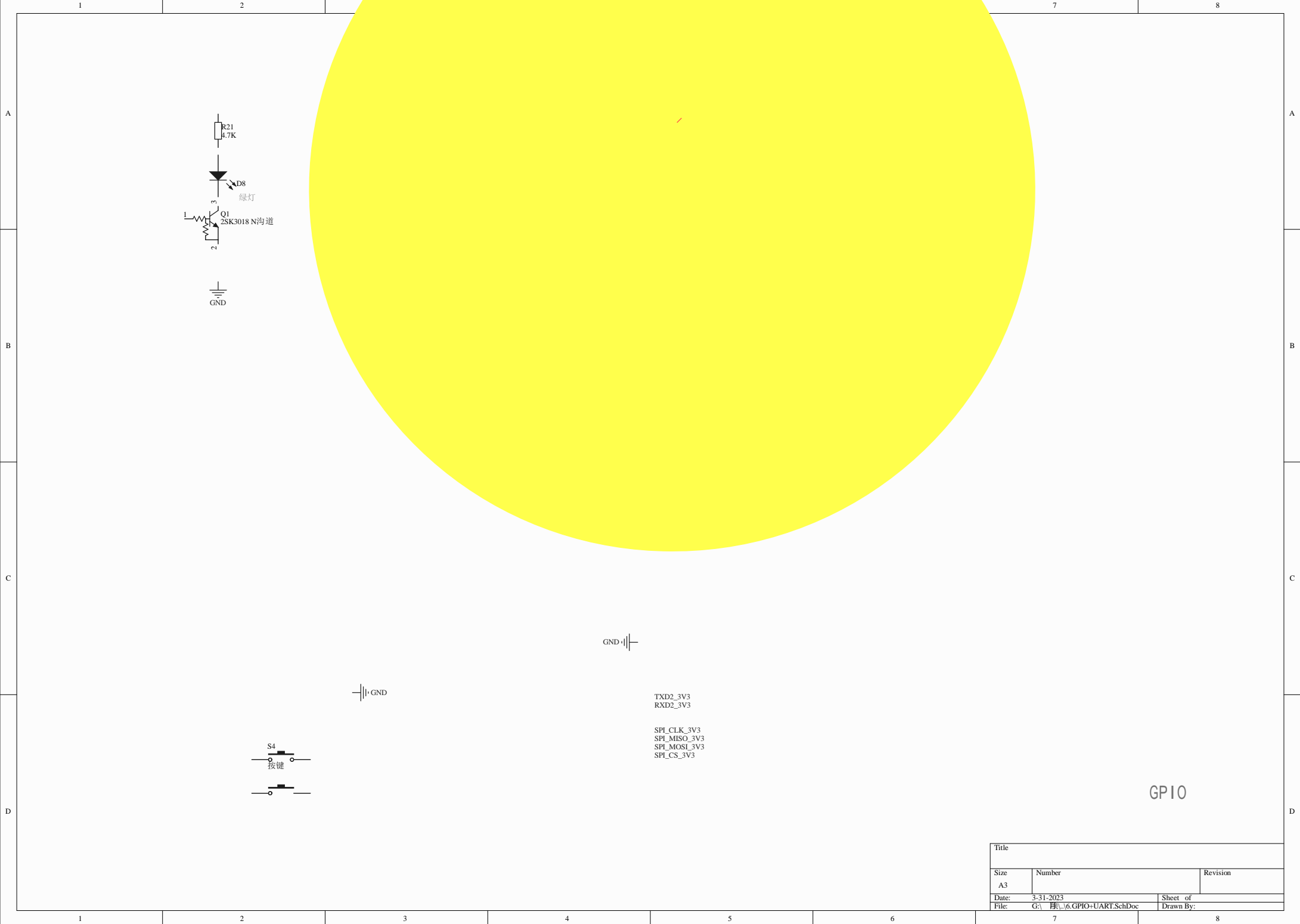
USIM

Title		
Size A4	Number	Revision
Date:	3-31-2023	Sheet of
File:	G:\ 项目\4.SIM-CARD.SchDoc	Drawn By:



AUDIO

Title		
Size	Number	Revision
A4		
Date:	3-31-2023	Sheet of
File:	G:\ 顯\5.AUDIO.SchDoc	Drawn By:

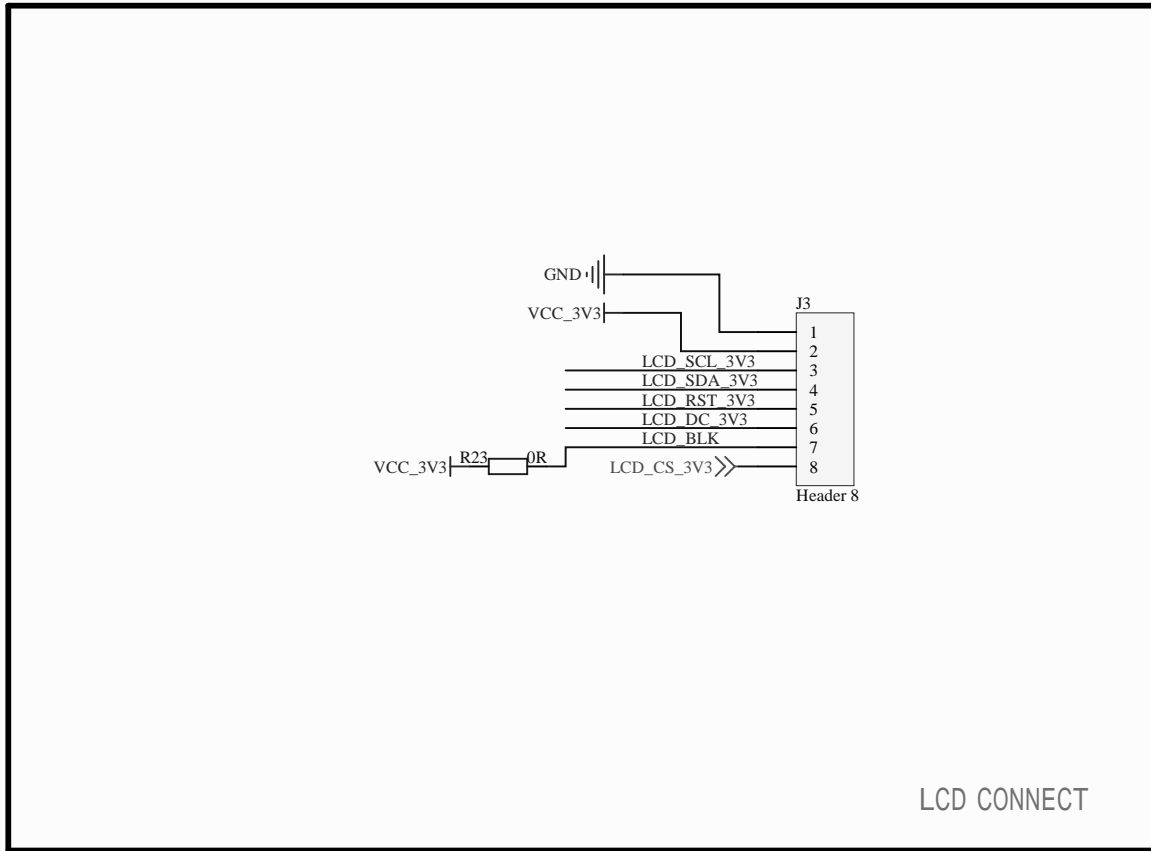


TXD2_3V3
RXD2_3V3

SPI_CLK_3V3
SPI_MISO_3V3
SPI_MOSI_3V3
SPI_CS_3V3

GPIO

Title		
Size A3	Number	Revision
Date: 3-31-2023	Sheet of	Drawn By:
File: G:\...\6.GPIO+UART.SchDoc		



LCD CONNECT

Title		
Size A4	Number	Revision
Date:	3-31-2023	Sheet of
File:	G:\ 屏\..7.LCM.SchDoc	Drawn By: