

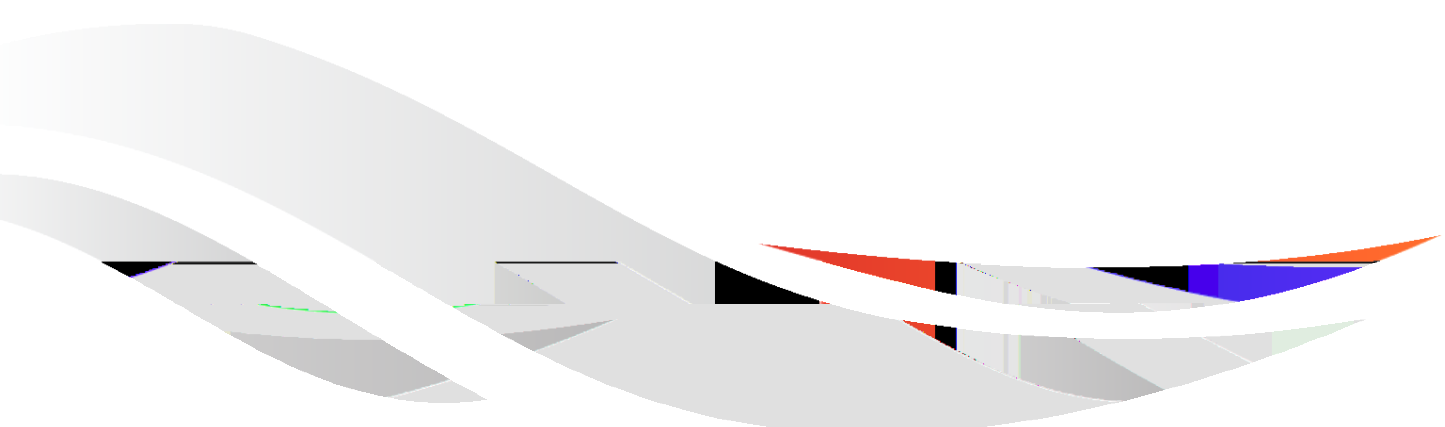


Quectel_EVB_EC600X、EC800X

Oscarc_EVB_CA4.0X、E800X

T3.2

0.0/+11+07

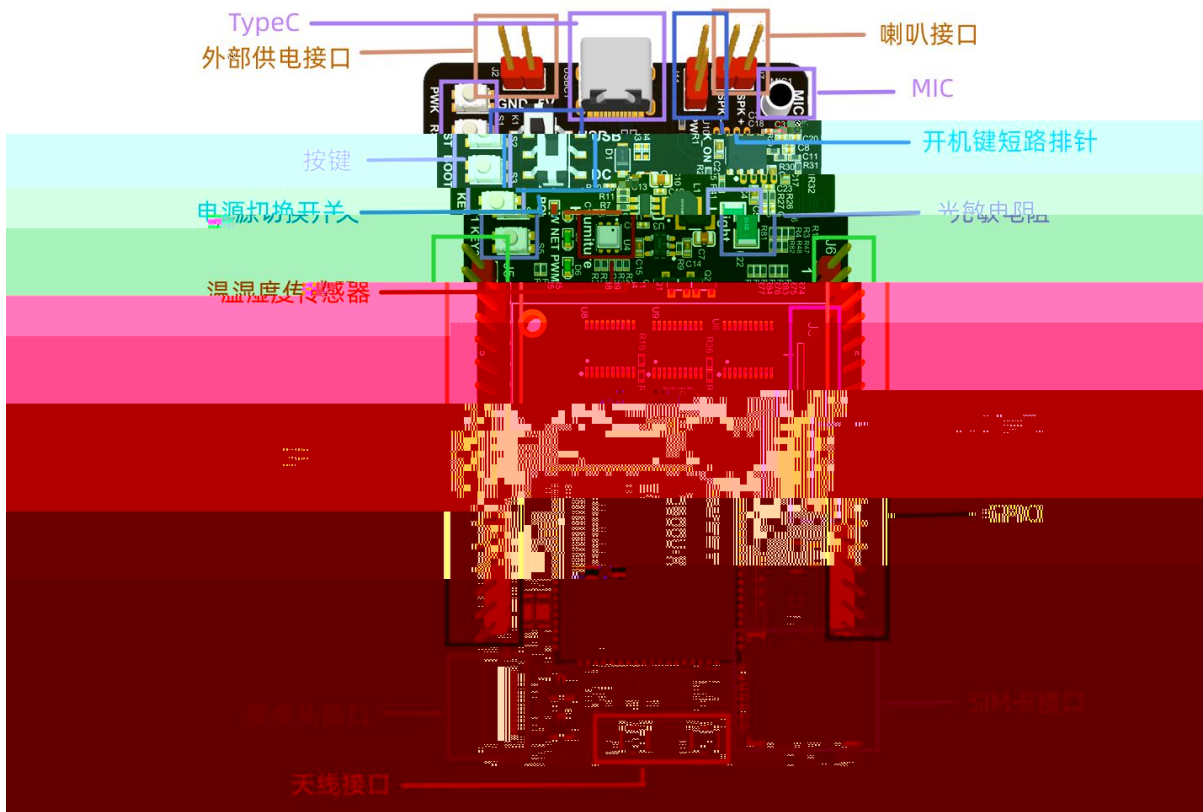


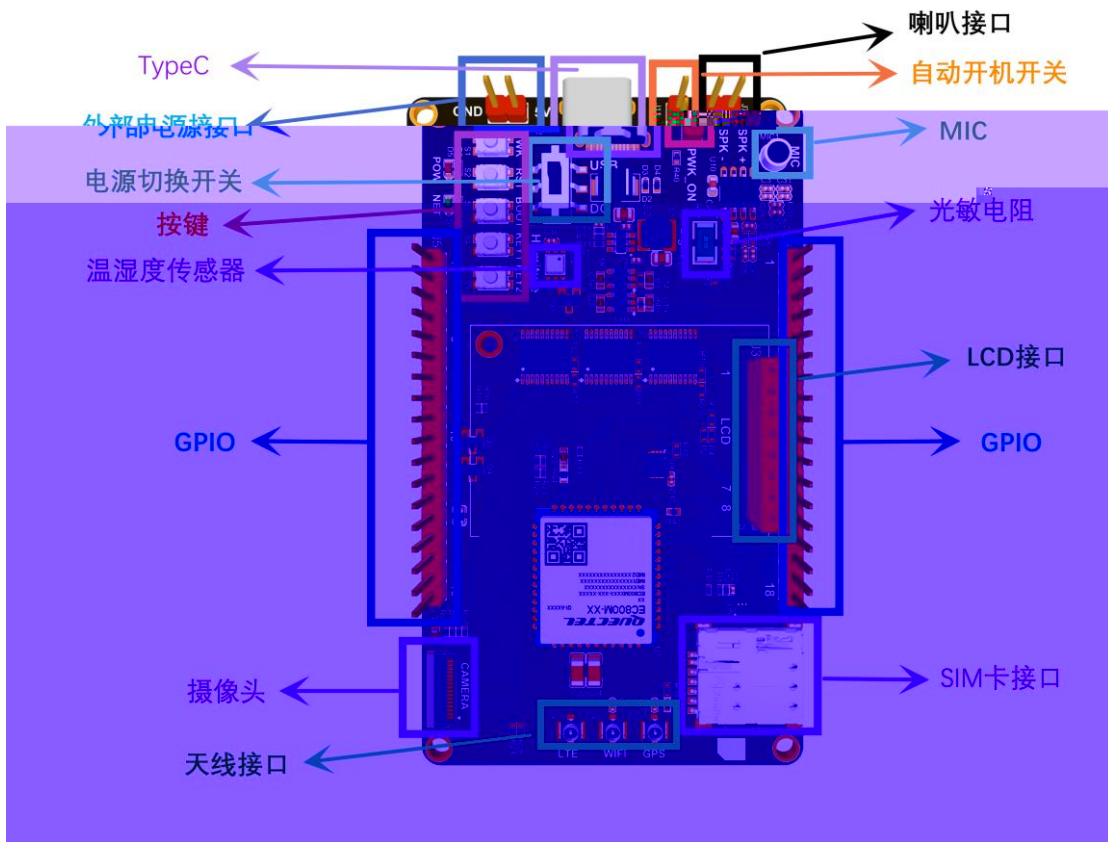
1 @ 3 0..011
64 0/ 3/. 64014 8j dn oscarc ,ank

frn&u u u ,oscarc ,ank -al -gsnnmp-q_cq,frk

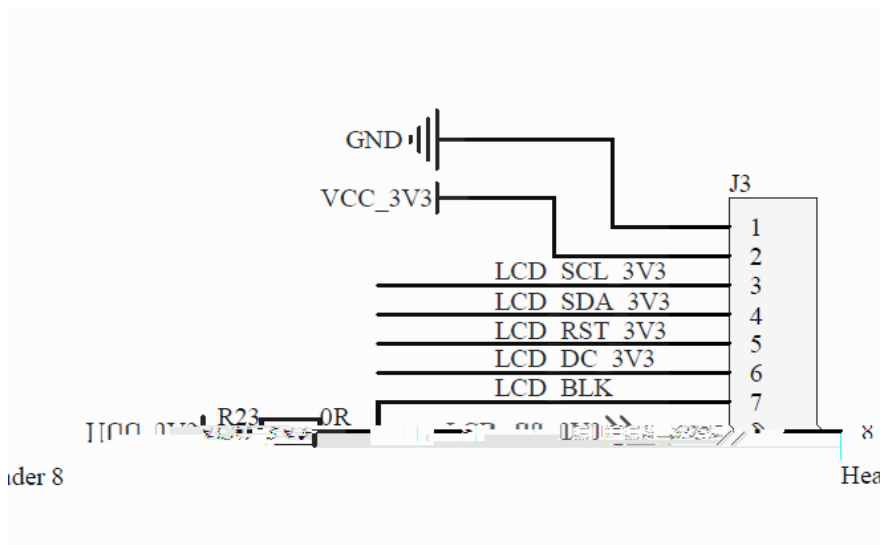
frn&u u u ,oscarc ,ank -al -gsnnmp-rcafl @ ,frk

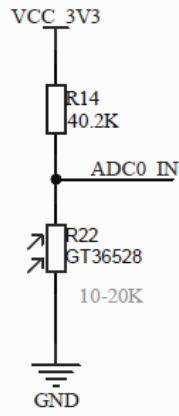
EC600X— EC600 EC600N EC600U EC600M
EC800X— EC800 EC800M EC800E
EVB—
V3.X--





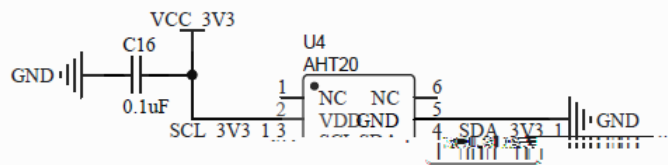
序号	名称	型号	是否支持	接口类型

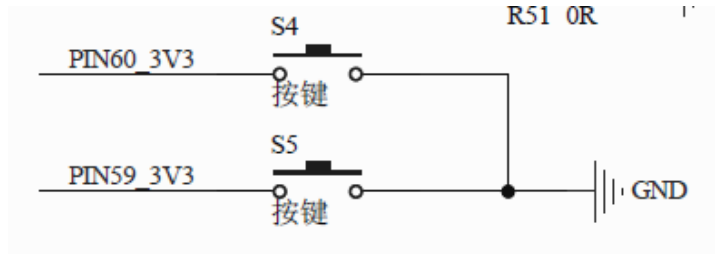
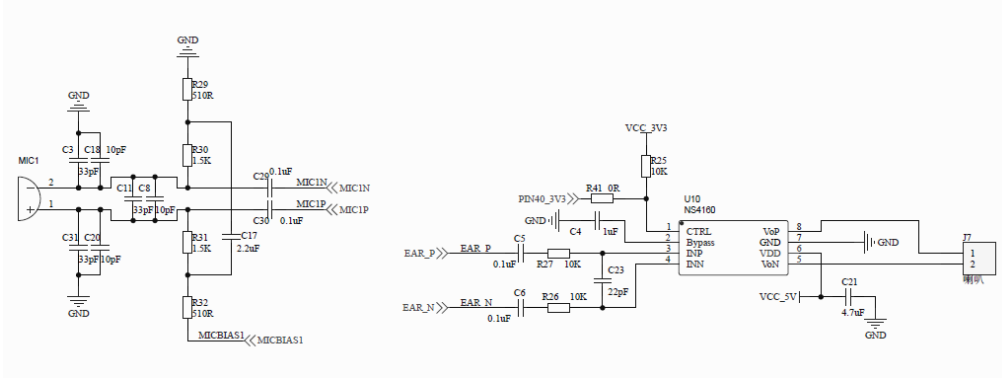




光敏电阻

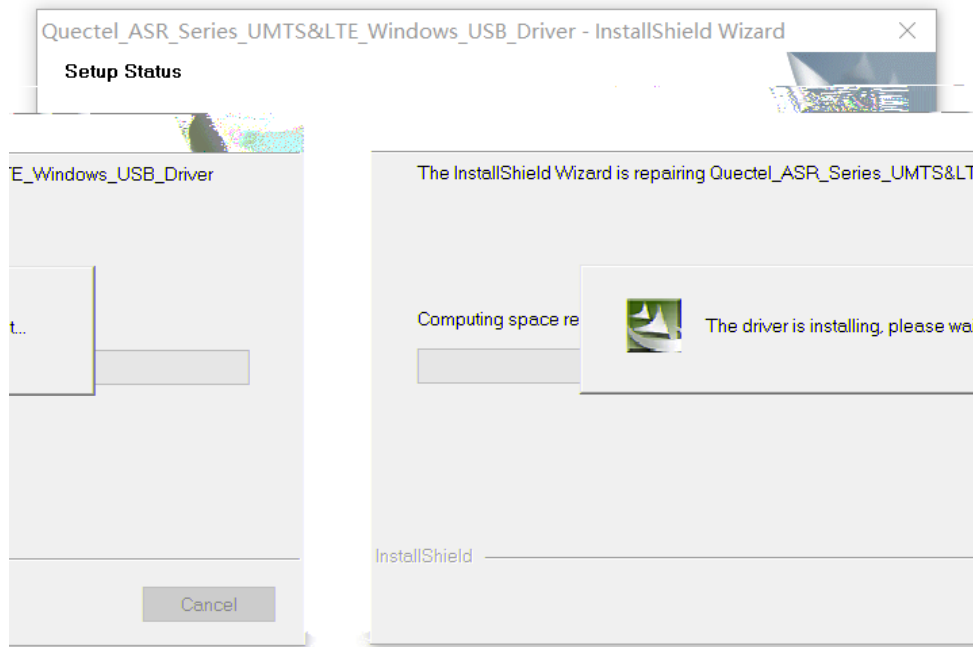
请注意





开发板	开机操作

setup.exe

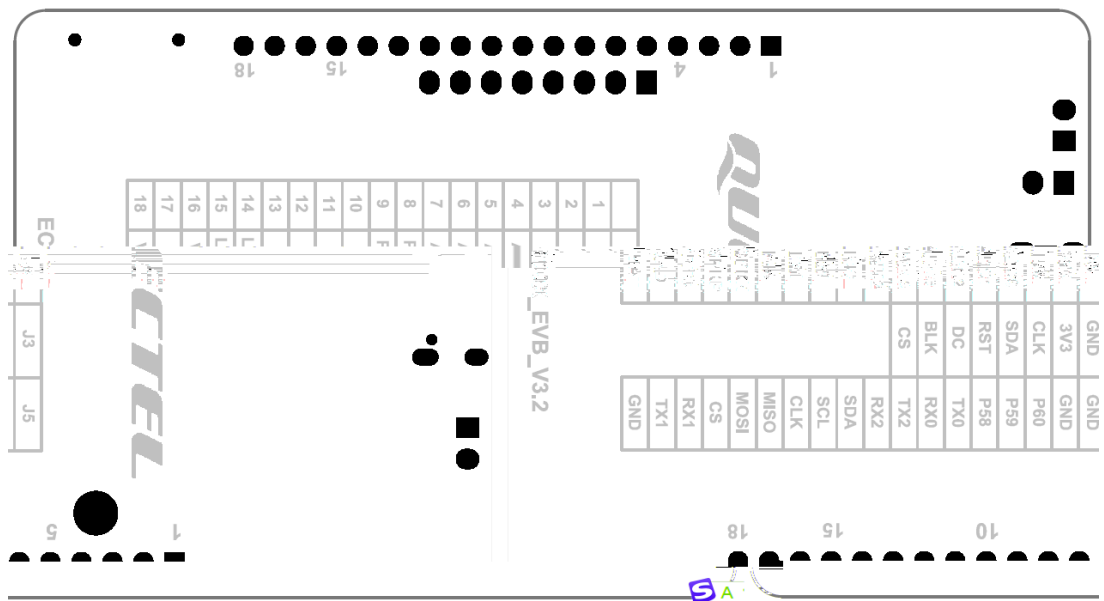
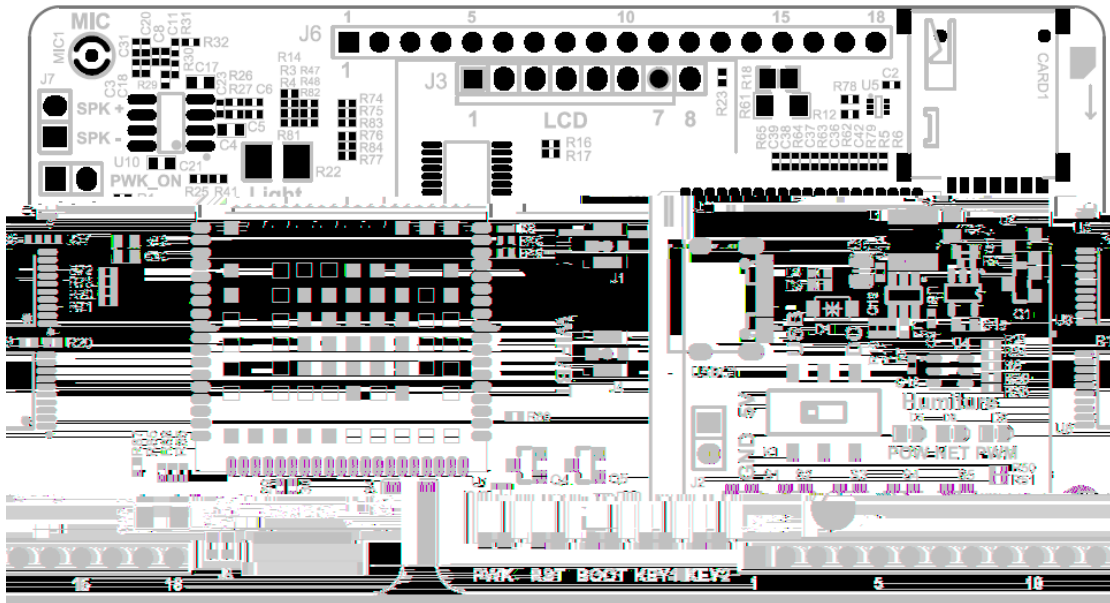


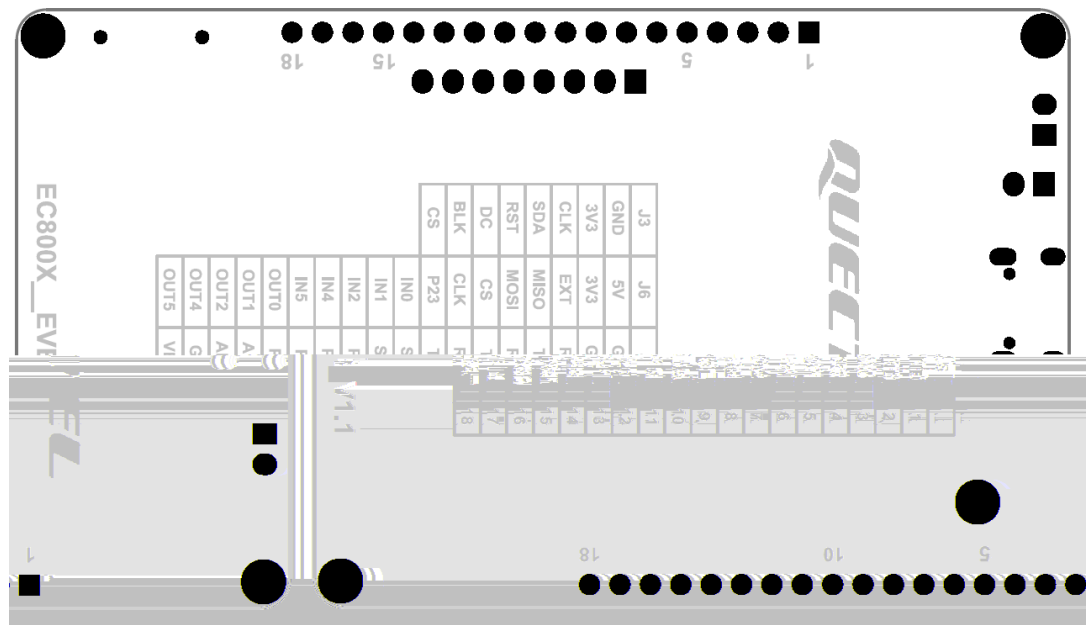
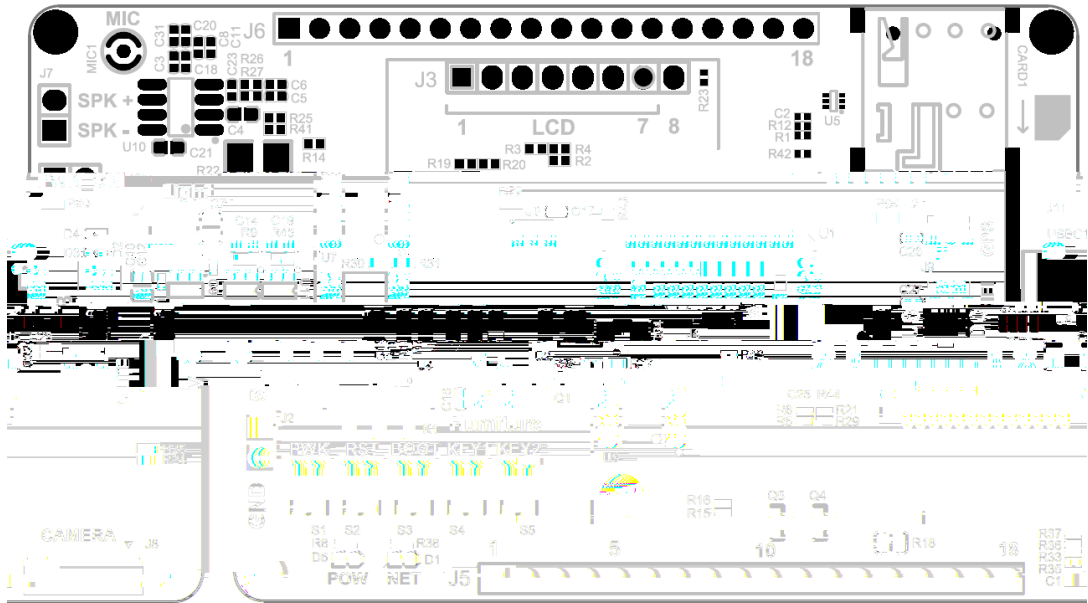
- Quectel USB AT Port (COMx)
- Quectel USB AP Log Port (COMx)
- Quectel USB CP Log Port (COMx)
- Quectel USB Diag Port (COMx)
- Quectel USB MOS Port (COMx)
- Quectel Modem (COMx)
- Quectel USB Serial-1 Port (COMx)
- Quectel USB Serial-2 Port (COMx)

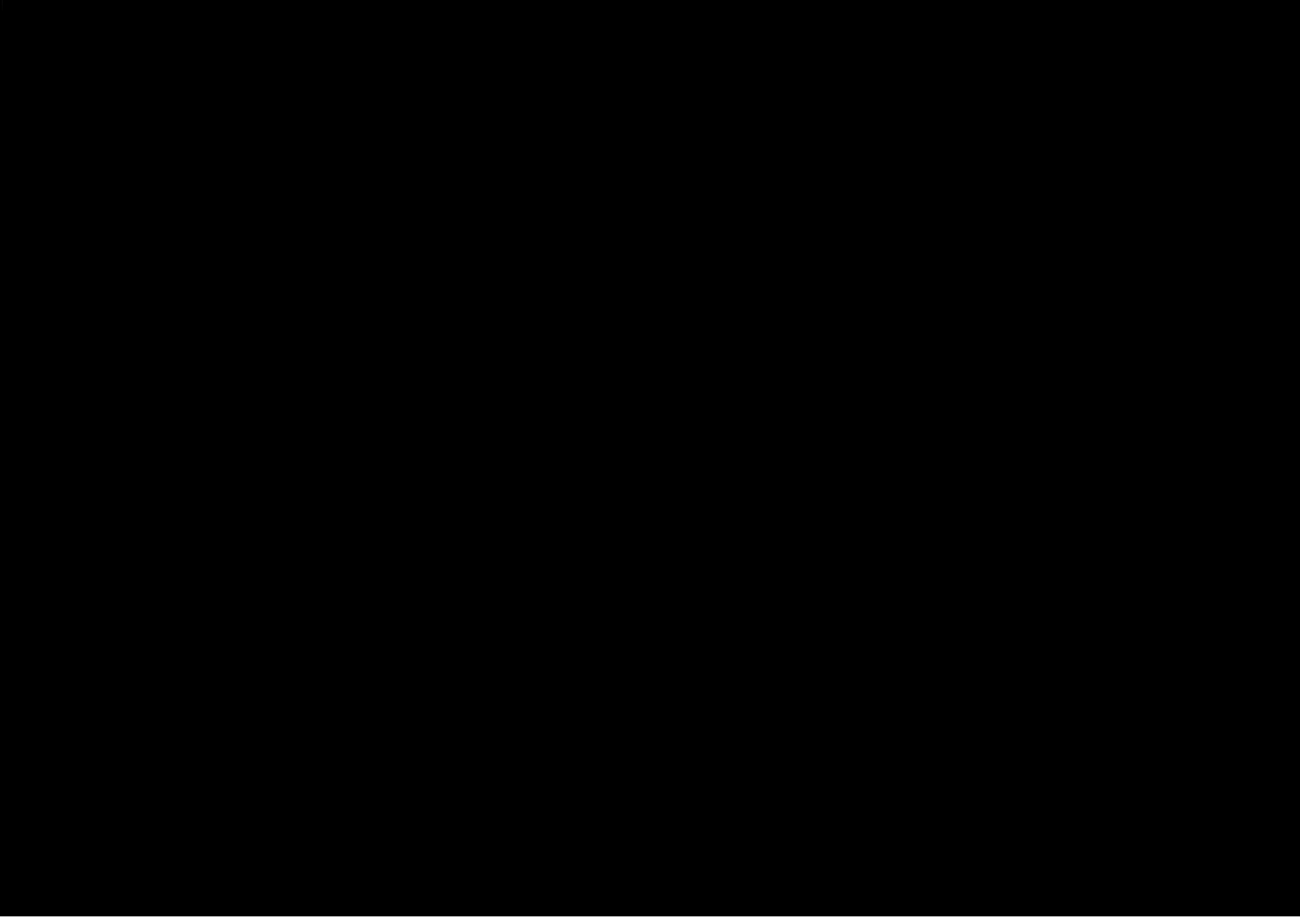
小提示

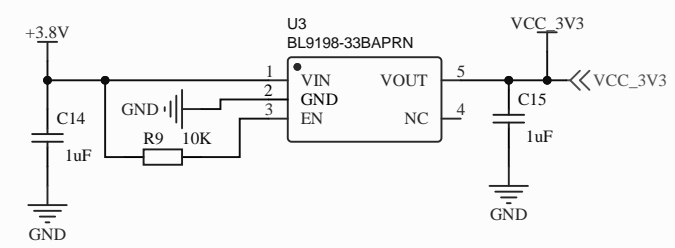
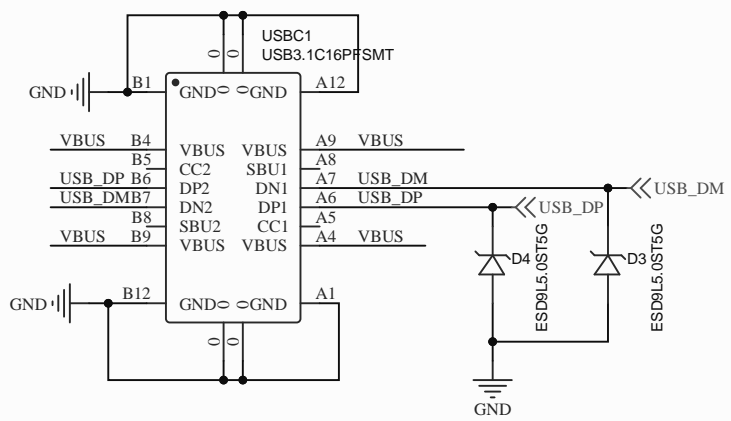
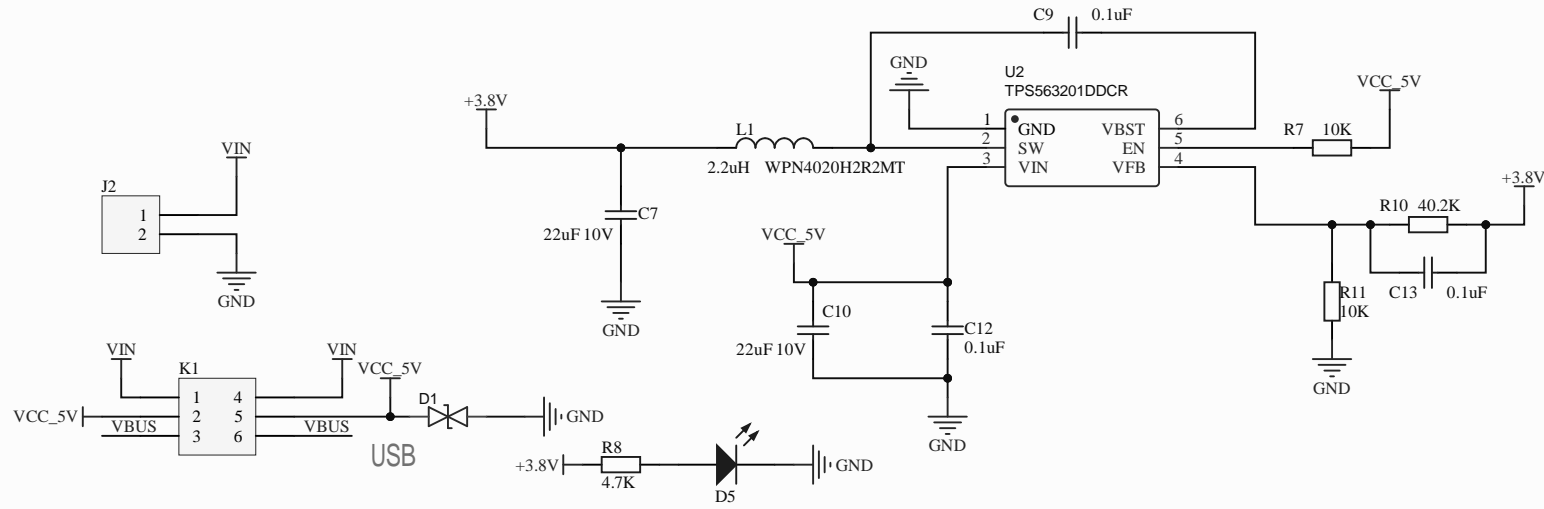




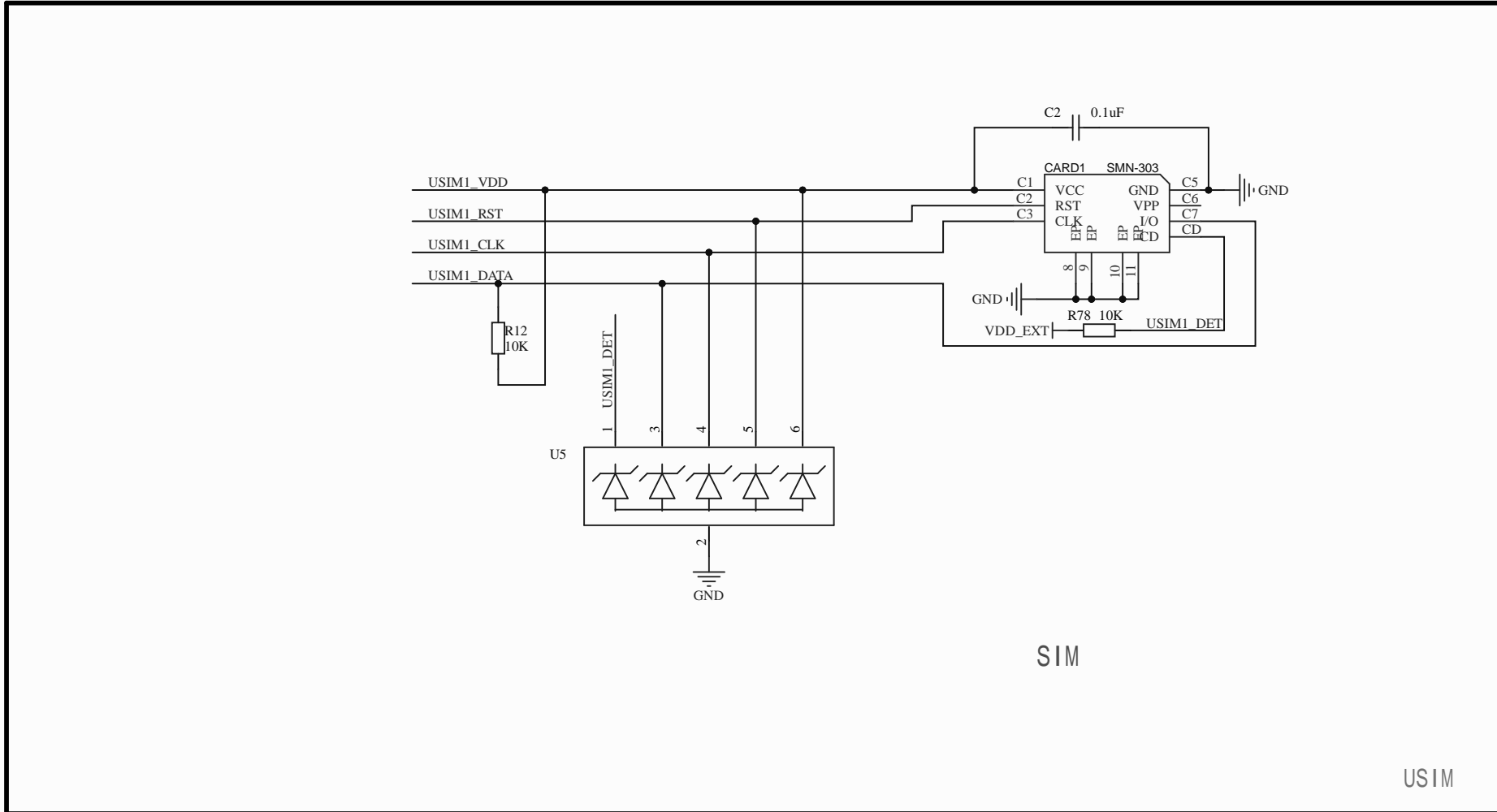




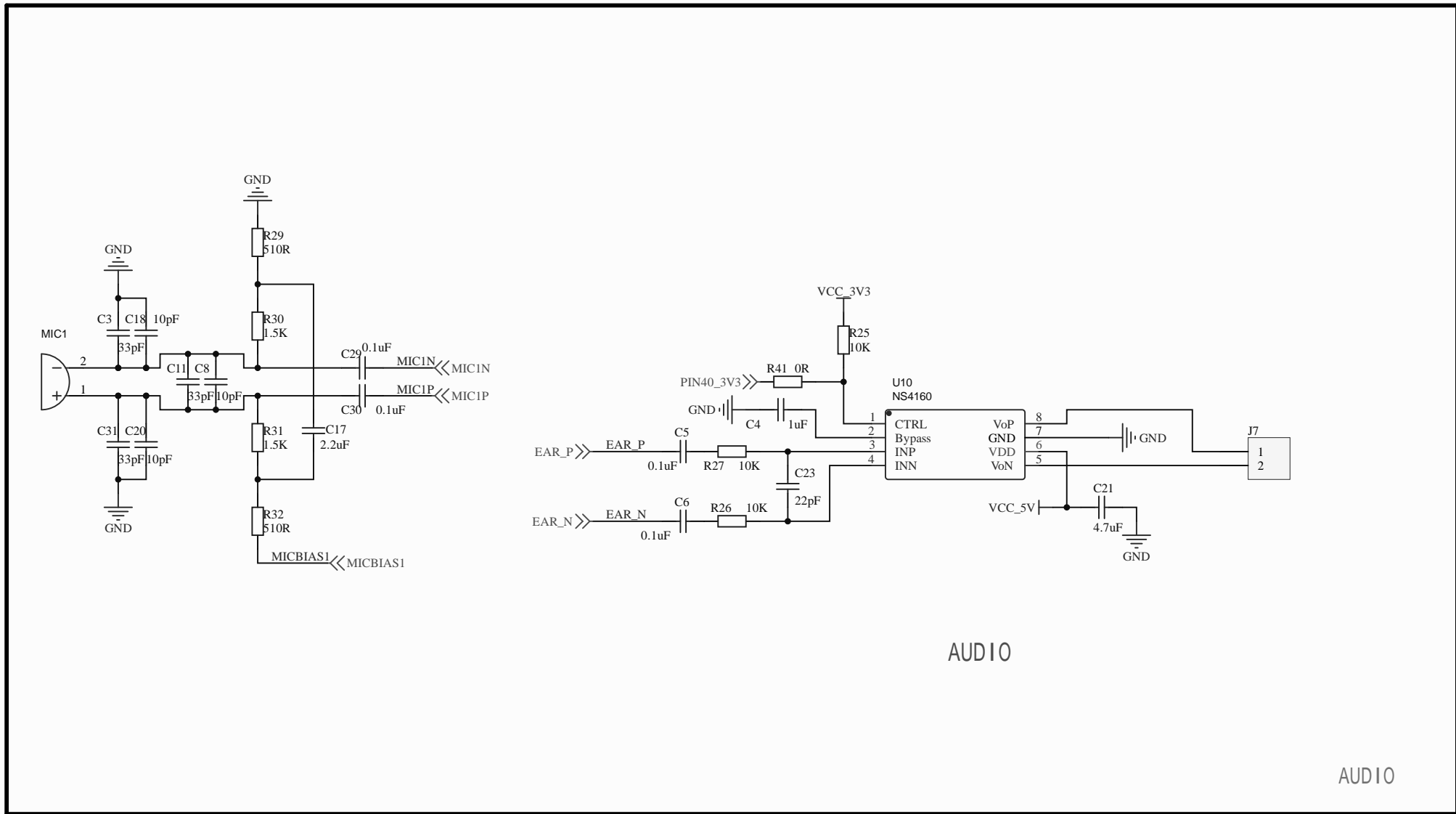




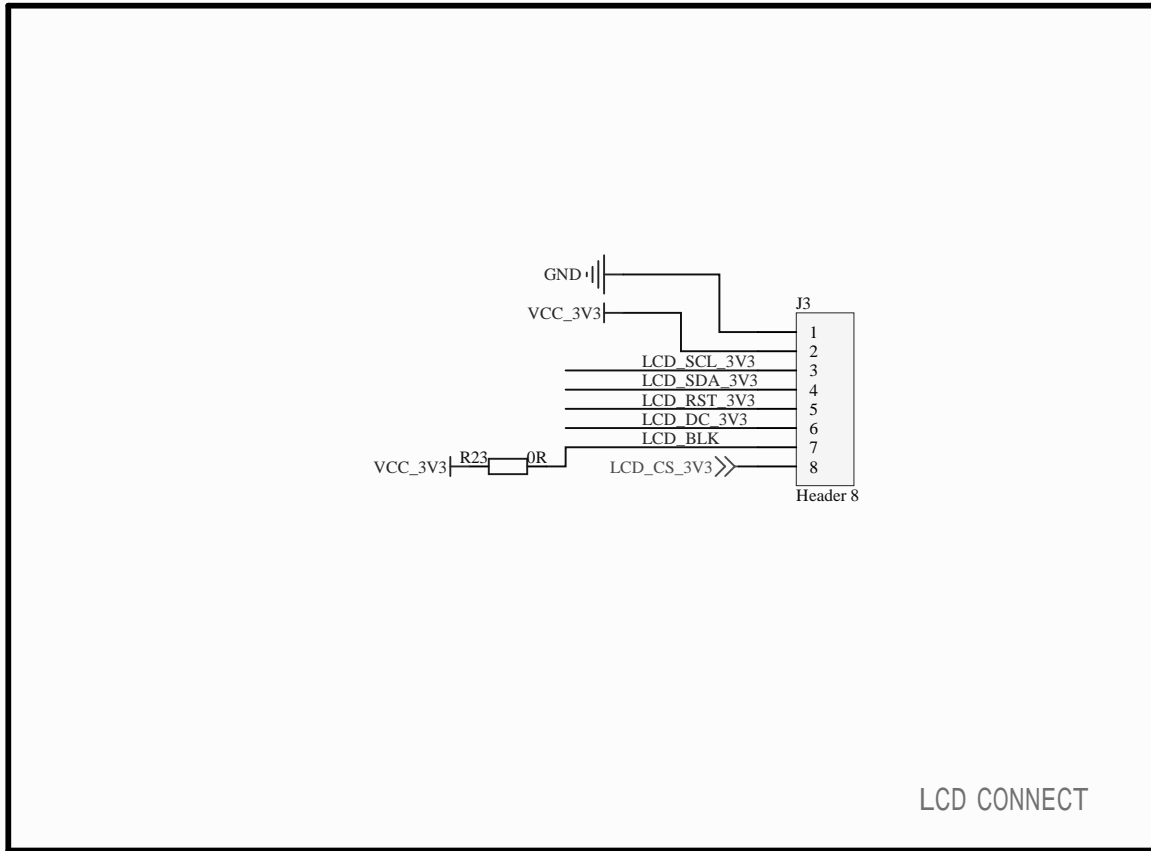
Title		
Size A4	Number	Revision
Date:	3-31-2023	Sheet of
File:	G:\...\2.POWER.SchDoc	Drawn By:



Title		
Size	Number	Revision
A4		
Date:	3-31-2023	Sheet of
File:	G:\...4.SIM-CARD.SchDoc	Drawn By:

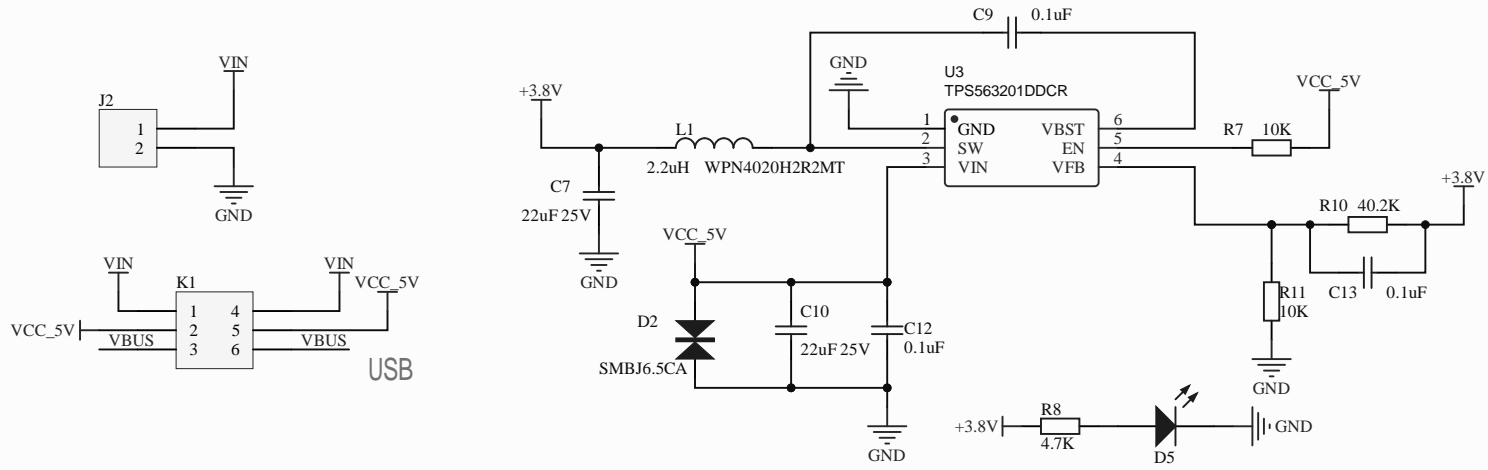


Title		
Size	Number	Revision
A4		
Date:	3-31-2023	Sheet of
File:	G:\...\5.AUDIO.SchDoc	Drawn By:

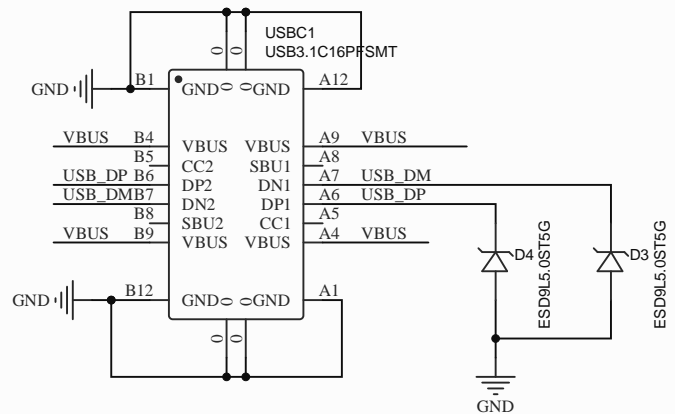
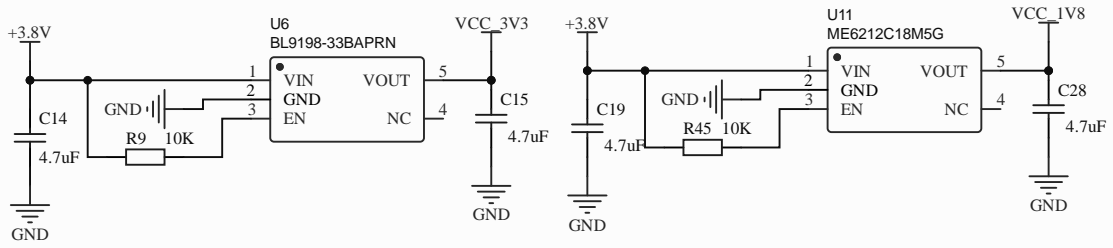


LCD CONNECT

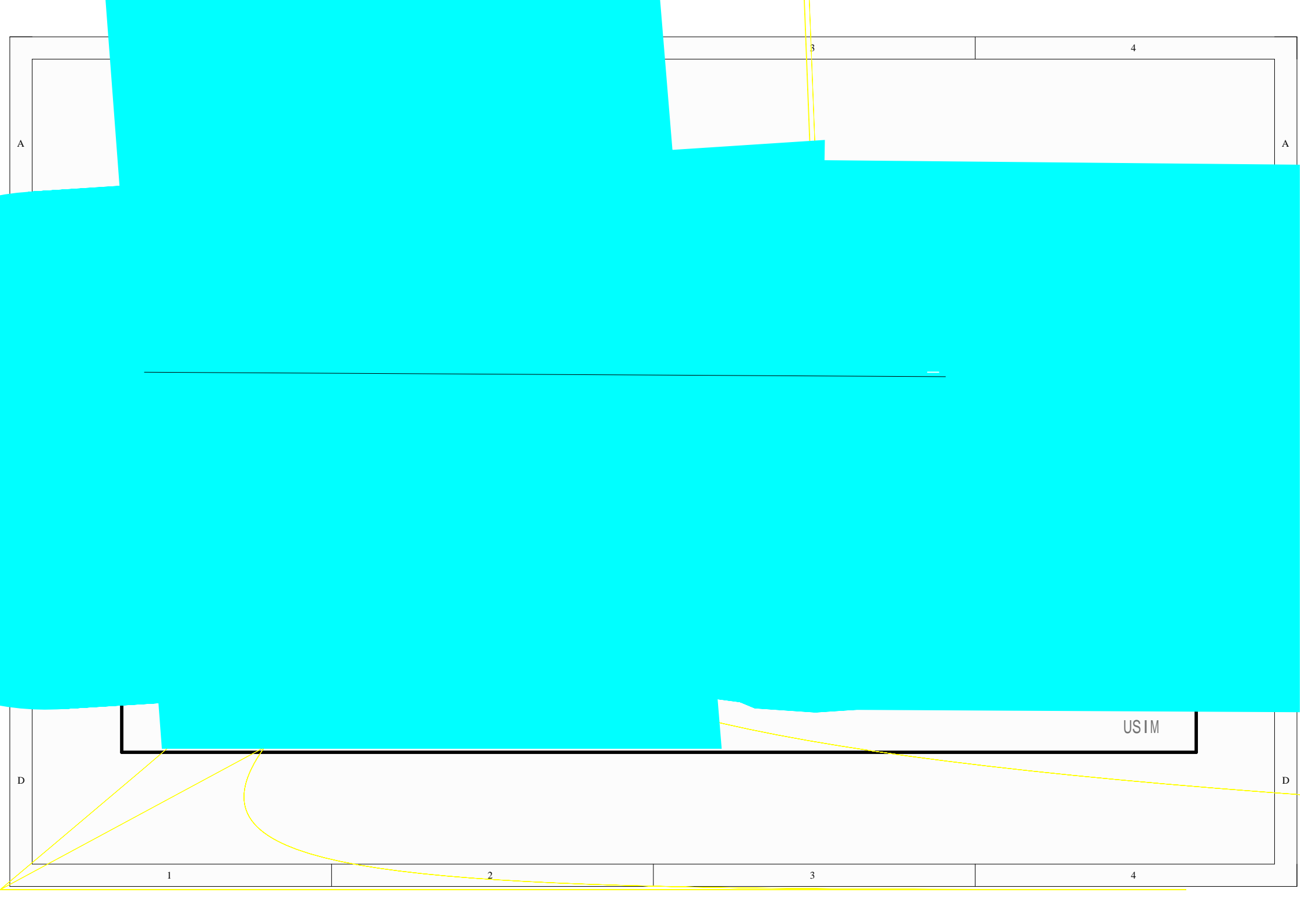
Title		
Size A4	Number	Revision
Date:	3-31-2023	Sheet of
File:	G:\...\7.LCM.SchDoc	Drawn By:



DCDC



type-C



A

A

B

4

1

2

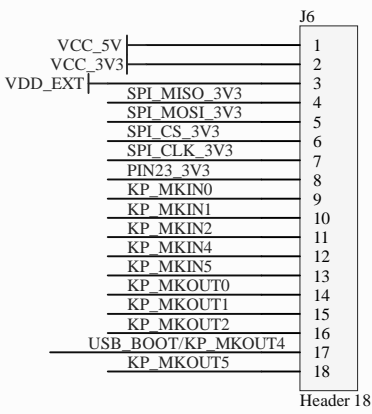
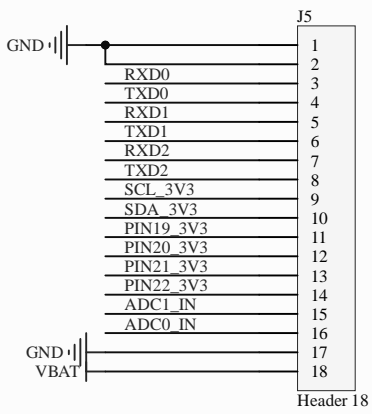
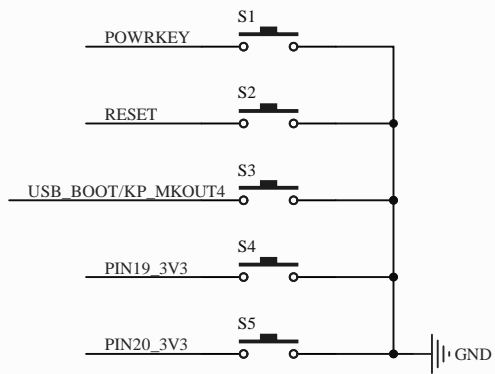
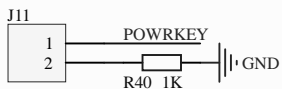
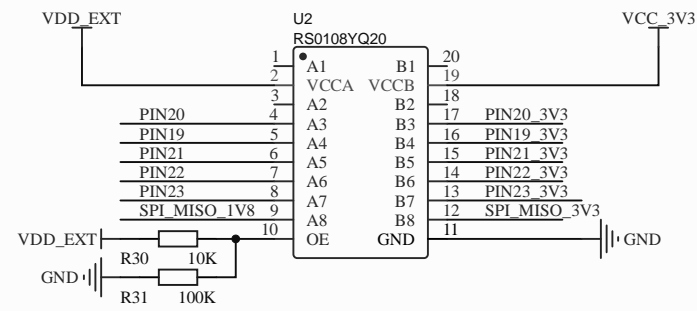
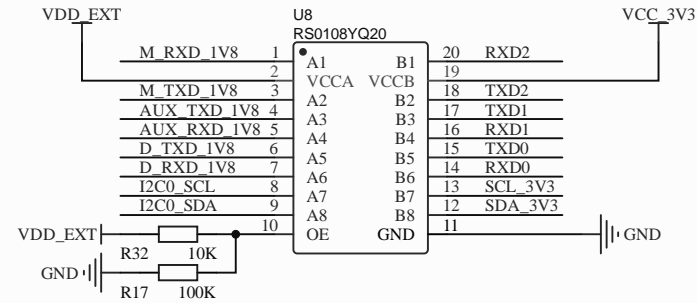
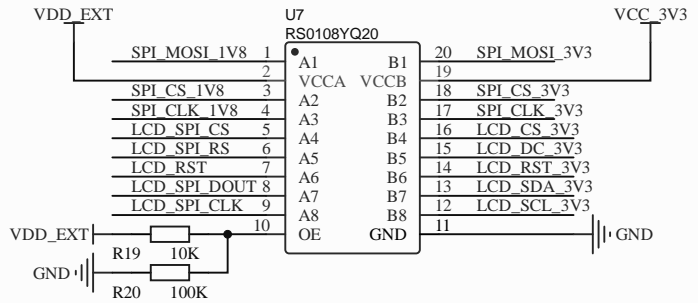
3

4

D

D

USIM



GPIO

1

2

3

4

A

A

B

B

C

C

D

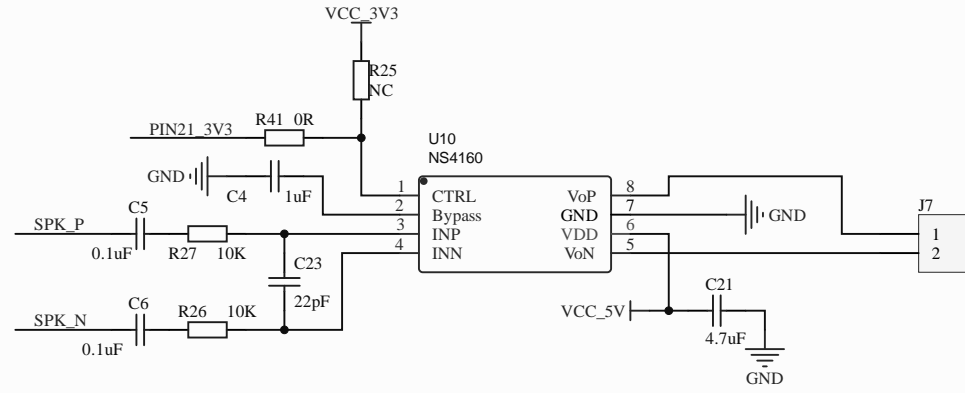
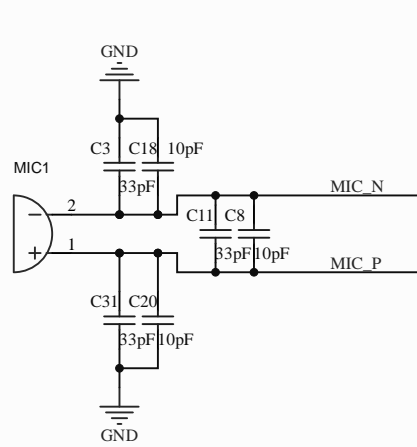
D

1

2

3

4



AUDIO

AUDIO

1

2

3

4

A

A

B

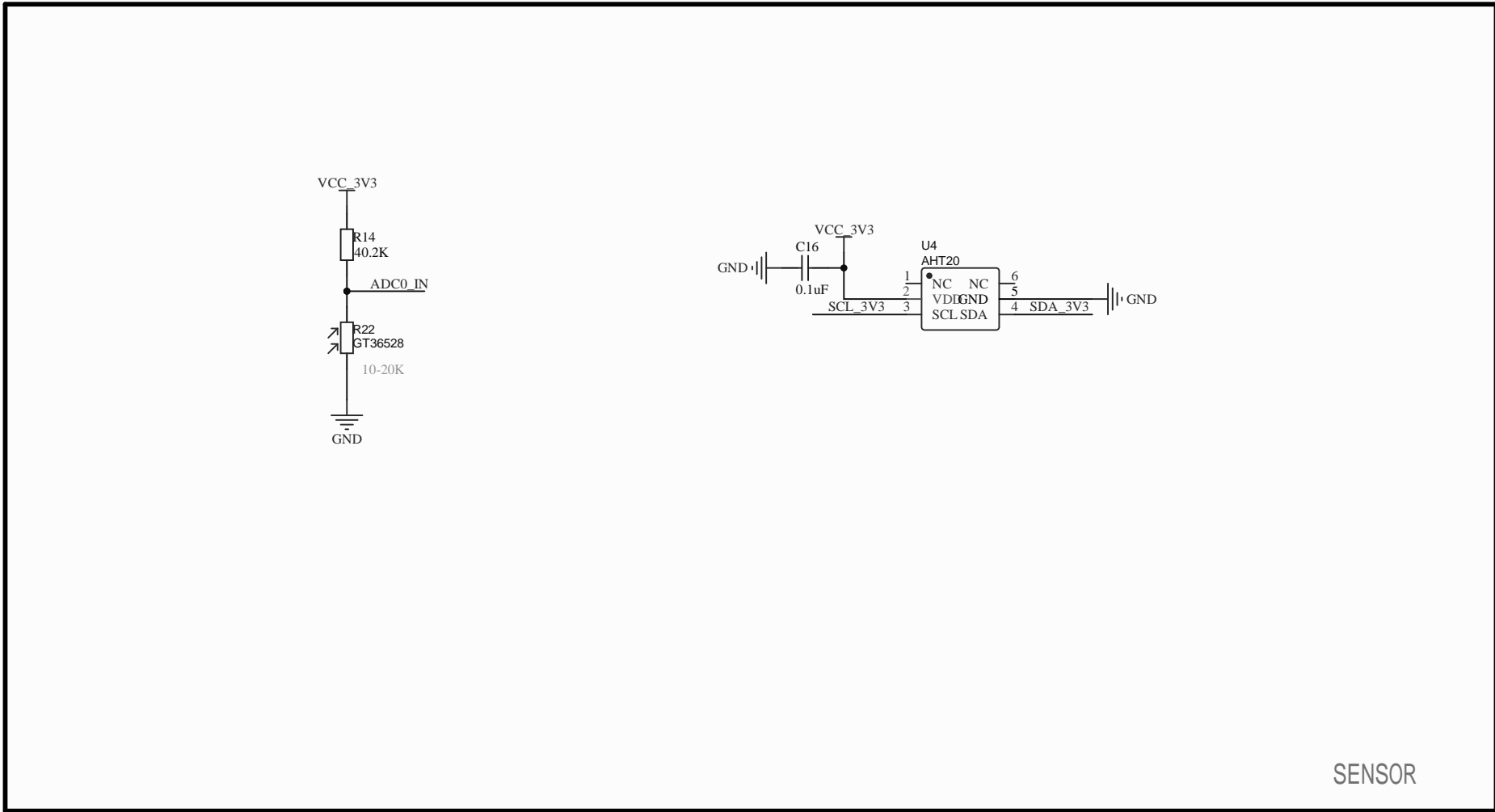
B

C

C

D

D



1

2

3

4

1

2

3

4

A

A

B

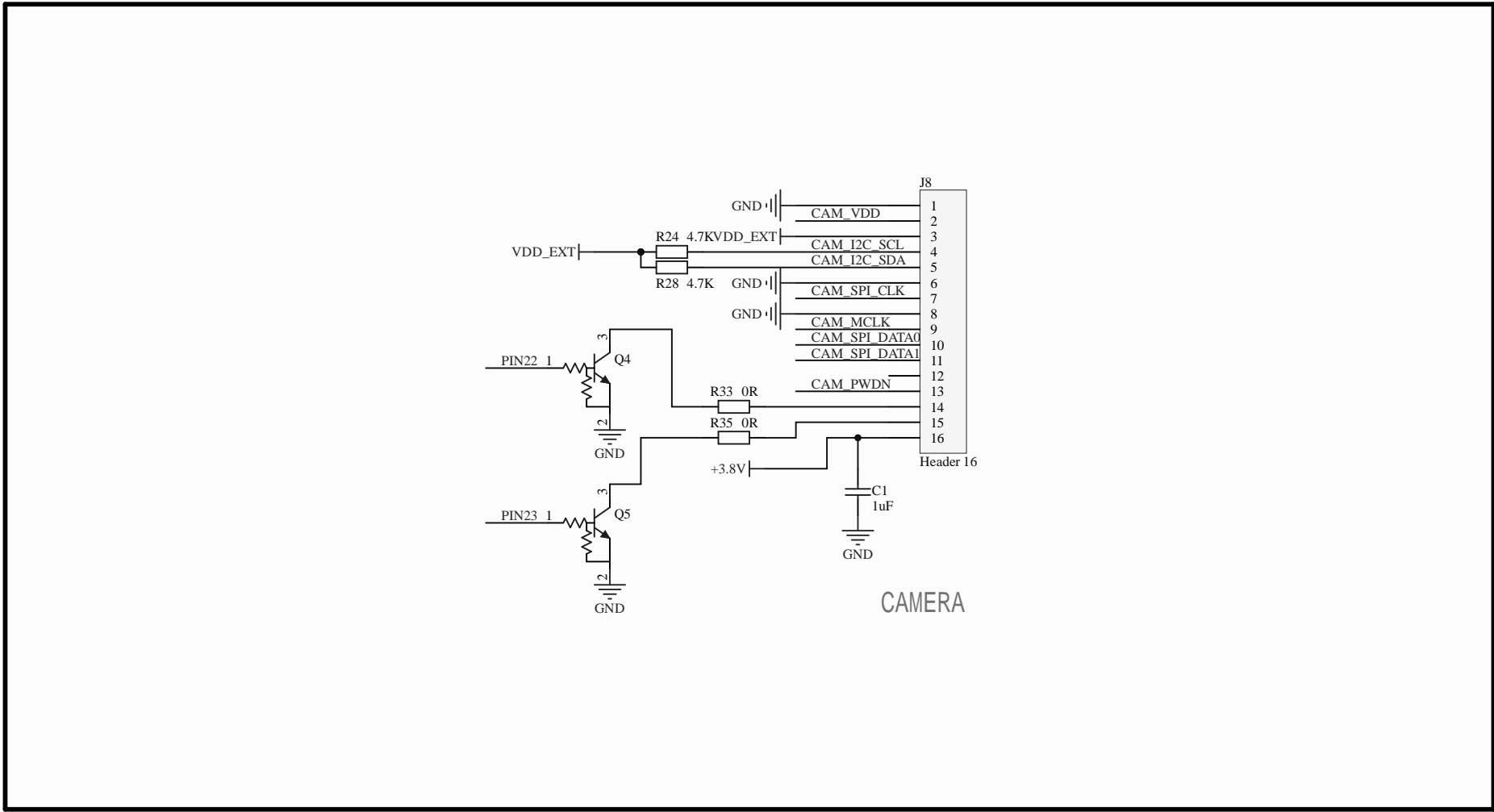
B

C

C

D

D



CAMERA

1

2

3

4

A

A

B

B

C

C

D

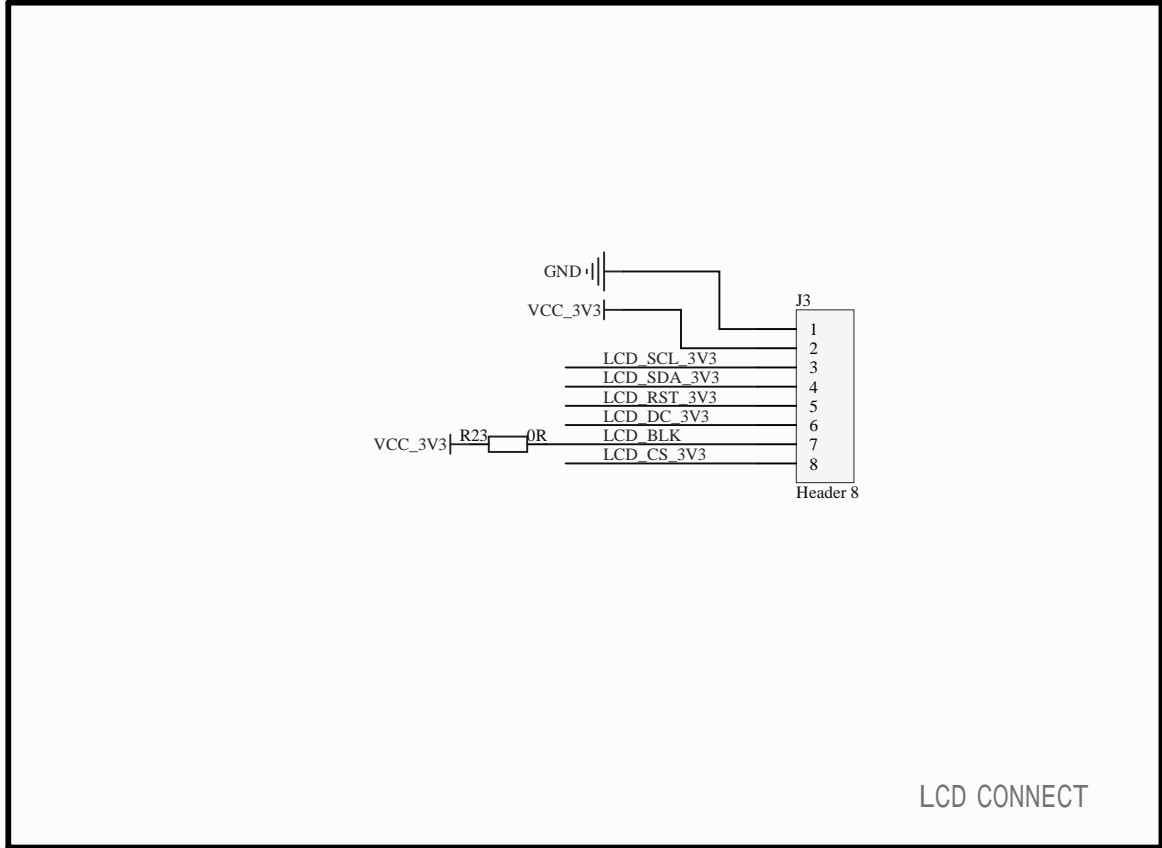
D

1

2

3

4



LCD CONNECT

1

2

3

4

A

A

B

B

C

C

D

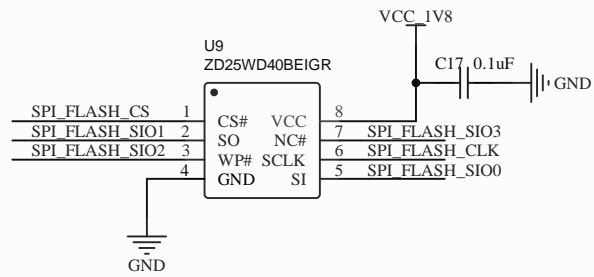
D

1

2

3

4



Flash